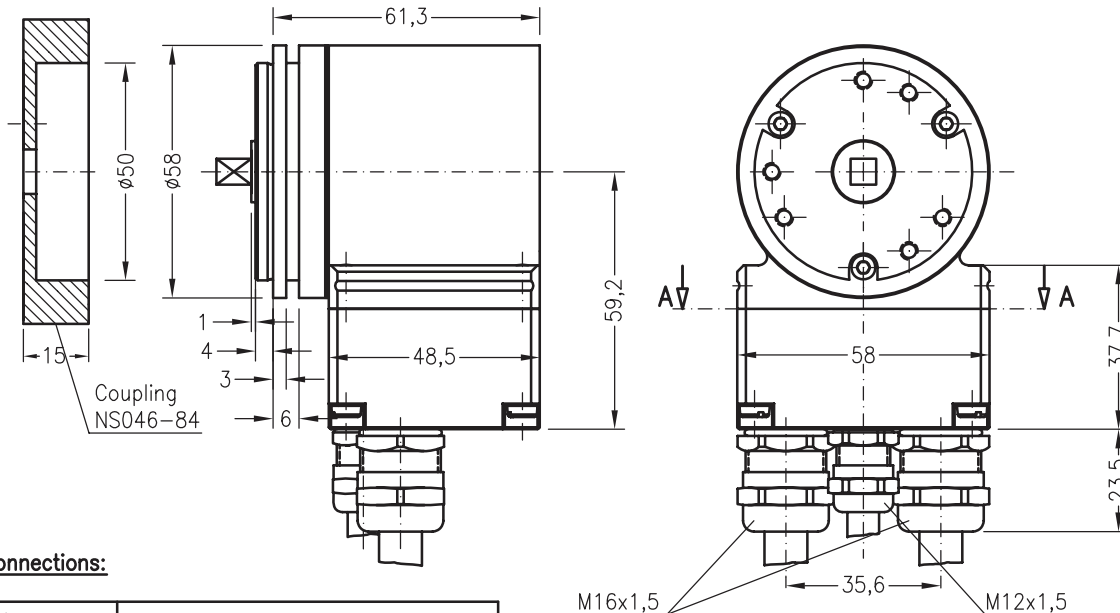


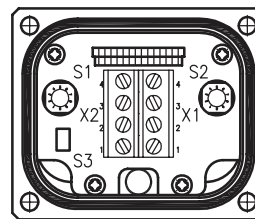
The encoder OGP-DP will be connected directly on profibus; specification class 2 is fulfilled and encoder is programmable via profibus-DP.  
The PNO-ident-number AAAB (Hex) is provided at PNO. Under file TR03AAAB.GSD is the log file available  
Note for operation: Profibus-master must be able to send a parametric telegram.  
Furthermore the configuration software of master must be able to display the encoder parameter structure.

**Dimensions:****Connections:**

X1	<b>Terminal, 4 pins</b>	
Pin 1	Profibus, Data A	<b>Profibus_IN</b>
Pin 2	Profibus, Data B	
Pin 3	US-power supply	
Pin 4	0V-power supply	
X2	<b>Terminal, 4 pins</b>	
Pin 1	Profibus, Data A	<b>Profibus_OUT</b>
Pin 2	Profibus, Data B	
Pin 3	US-power supply	
Pin 4	0V-power supply	

**Data:**

Step	8.192
Rotations	1
Interface	Profibus DP
Code	programmable
Power supply	11-27V
Output level	RS485
Protection	IP65
Temperature	-20+70°C
Flange	ZB50
Axis	□ 6x9

**A-A**

S1/S2: Selector switch for address  
S3: Terminal resistance  
On/Off

**Service-display:**

Status LEDs	● = ON
-BUS RUN=green	○ = OFF
-BUS FAIL=red	⊙ = FLASHING

**GREEN**

- : Operational
- : No supply voltage, hardware error
- ⊙ : Parameter- or configuration error

**RED**

- : No error, bus in cycle
- ⊙ : No allocation to a master
- : No recoverable encoder defect

Type: OGP-DP

EUR

**Additional:**

Coupling NS046-84 EUR  
for master controller VNS0



**Spohn+Burkhardt** GmbH & Co.  
D-89143 Blaubeuren/Germany Mauergasse 5

Local Contact FON: 86 21 5045 0977  
Mr. Gubin Fax: 86 21 5045 8162  
enquire@spobu.com.cn