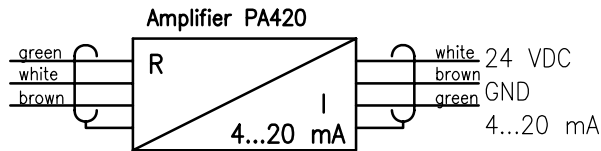
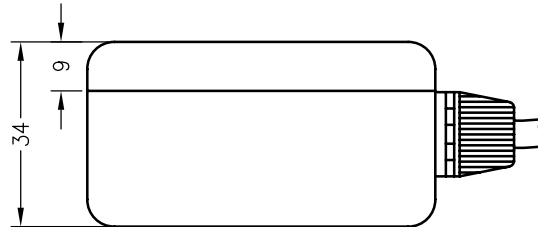
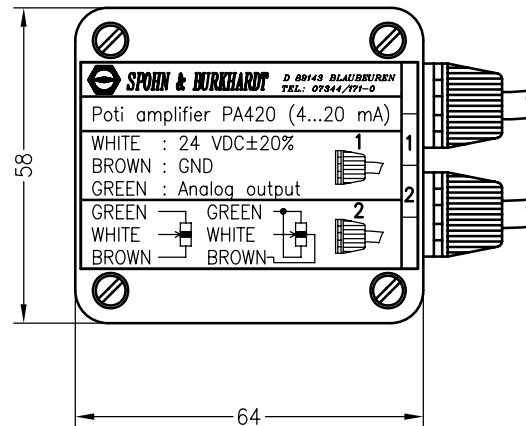
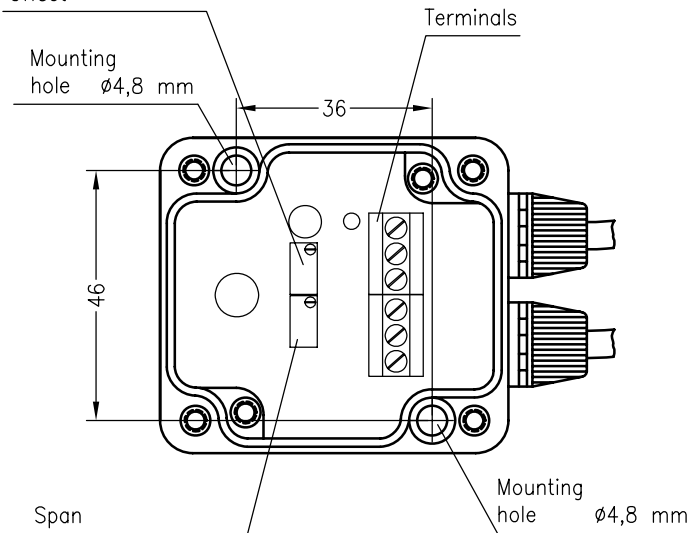
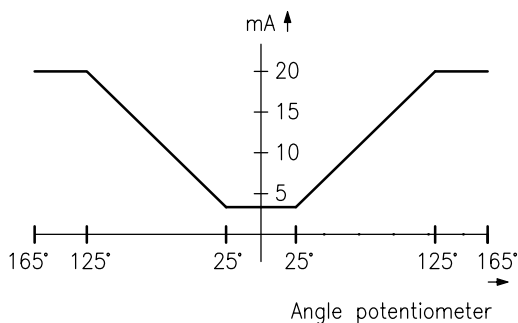
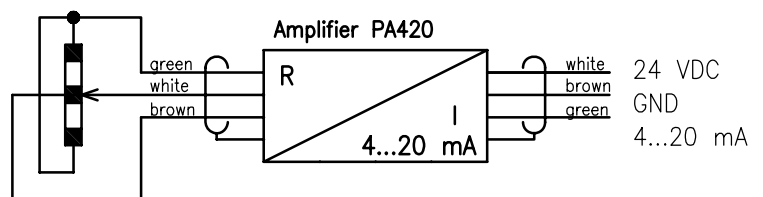


This amplifier converts the output of a potentiometer into a current signal of 4...20 mA  
Base value (4 mA, offset) and endvalue (20 mA, span) are adjustable by trimming potentiometers.

**Diagram:****Dimensions:****Offset****Output signals:**

E.g. with poti PD550-S233

**Connecting diagram:**

e.g.: PD550 5-0-5 kOhm (PQ55, wired wound potentiometer)  
PL310 5-0-5 kOhm (B55, conductiv plastic potentiometer)  
Other potentiometer on request

**Electrical data:**

Supply voltage: 24 VDC  $\pm 20\%$   
Supply current: max. 80 mA  
Load: max. 500 Ohm  
Output signal: 4-20 mA  
Operating temperature: 0-60 °C  
Potentiometer: 5 k or 10 KOhm

**Mechanical data:**

Housing: plastic  
Connection: shielded cable 3x0,25 mm<sup>2</sup>  
Protection: IP42  
Dimensions: 64x58x34 mm  
Emi certificated

**Price:**

Amplifier PA420 piece EUR  
Additional price:  
Potentiometer see sheet 14/1 + 14/2

